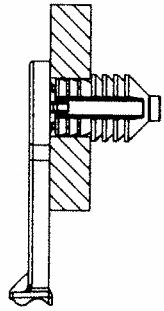


AVERY DENNISON MARKETING SPECIFICATION

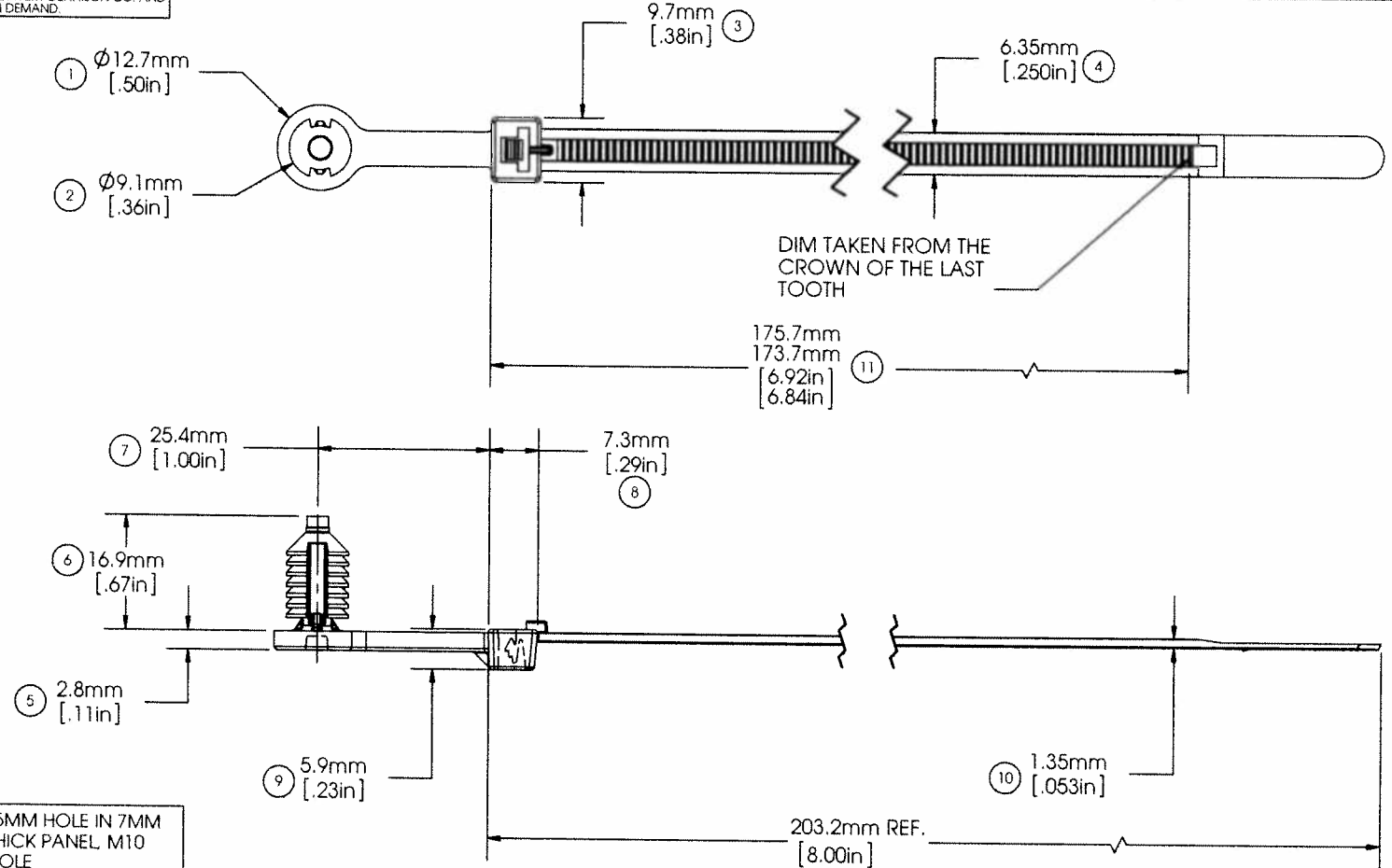
HISTORY

THE SUBJECT MATTER DISCLOSED HEREIN EMBODIES PROPRIETARY INFORMATION WHICH IS THE CONFIDENTIAL PROPERTY OF THE AVERY DENNISON CO. NONE OF WHICH SHALL BE COPIED, REPRODUCED, DISCLOSED TO OTHERS, PUBLISHED OR USED IN WHOLE OR IN PART, FOR ANY PURPOSE OTHER THAN THAT FOR WHICH IT IS BEING MADE AVAILABLE WITHOUT THE EXPRESS ADVANCE WRITTEN PERMISSION OF A DULY AUTHORIZED AGENT OF THE COMPANY. THIS DOCUMENT IS THE PROPERTY OF THE AVERY DENNISON CO. AND IS TO BE RETURNED TO THE COMPANY ON DEMAND.

REV	DATE	DESCRIPTION
B	06-24-09	INCREASE CAPACITY, UPDATE TEMPERATURE RANGE
C	04.17.13	ADDED ITEM 11



ASSEMBLED VIEW



MOUNTING:	Ø 8.00 ± 0.25MM HOLE IN 7MM MAXIMUM THICK PANEL, M10 THREADED HOLE
TENSILE STRENGTH:	50 LBF / 222.4N MIN.
TEMPERATURE RANGE:	-40°F (-40°C) TO 239°F (115°C) CONTINUOUS AND 257°F (125°C) AT MAXIMUM EXPOSURE
WEIGHT:	2.9 GRAMS
BUNDLE DIAMETER:	Ø 6.35MM TO Ø 44.5MM
INSTALLATION TOOL:	12001 - HAND TOOL 12500 - PNEUMATIC TOOL
TOOL TENSION SETTING:	6 - 8
PACKAGING:	500/BAG, 10 BAGS/MASTER

APPROVALS: ENG. APPR. *[Signature]* 4/17/13
Q.A. APPR. *[Signature]* 7/2/13

GENERAL TOLERANCE	
INCHES	MM
.XX ± .03	.X ± .7
.XXX ± .010	.XX ± .25
ANGULAR: ± 3°	

MATERIAL	NYLON 6/6 IMPACT MODIFIED, HEAT STABILIZED
COLOR	BLACK

AVERY DENNISON

FASTENER DIVISION
FITCHBURG, MA 01420 U.S.A.
TEL. 1-800-225-5913
FAX. 978-353-8157

DESCRIPTION	
8MM OFF-SET TIE, STANDARD	
STOCK NO.	REV.
20121-0	C